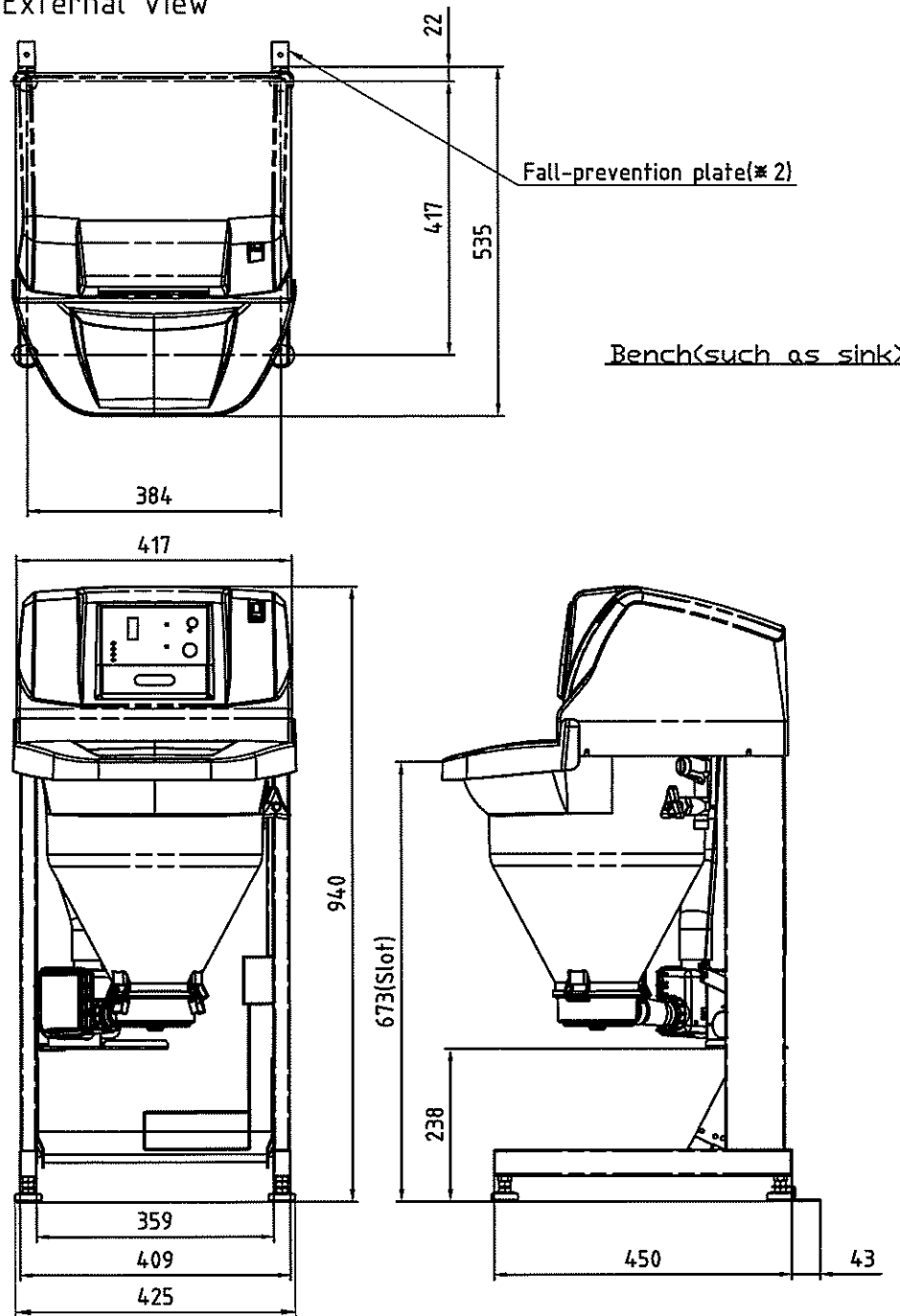
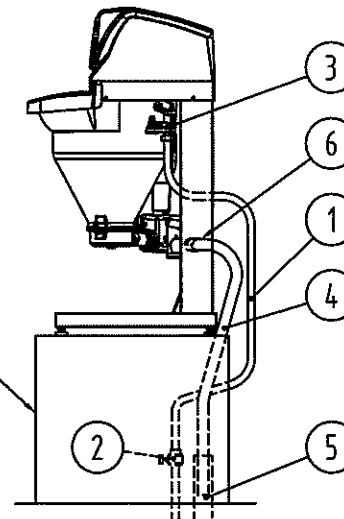


KP72PN-TL-CE

○ External View

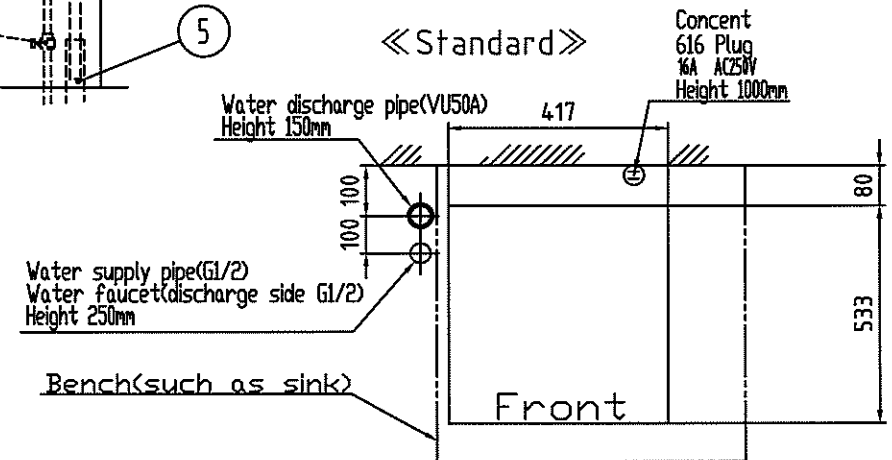


○ Drawing of Water Supply · Discharged Water · Connection [Standards]



- ① Flexible tube (Rp1/2) L=700mm.....included main body
 - ② Water supply pipe (G1/2 Hard vinyl chloride lining steel pipe for water)
From floor face 250mm.....connect with water faucet
 - ③ Water faucet (Nominal pipe 13, connection G1/2)
 - ④ Discharged water hose (Connected part inner diameter 38mm).....included main body
 - ⑤ Vinyl chloride pipe for water discharge (VU50A)
From floor face 150mm
 - ⑥ Connecting port of discharged water for Rice washer (External Diameter 38mm).....Connect with discharged hose
- *1. Install in the level and flat location, and make sure this machine is not unstable.
*2. If the main body might topple backward, attach Fall-prevention plate included with the product.

《Standard》



○ Specification

Size (mm)	W425 × D535 × H940
Weight (KG)	24
Rice throughput (Max)	6.0kg
Setting/per operation	6.0kg, 5.5kg, 5.0kg, 4.5kg, 4.0kg, 3.5kg, 3.0kg, 2.5kg, 2.0kg, 1.5kg, 1.0kg
Rice Washing time (Water discharge time is not included)	Approximately 1min56sec (6.0kg standard washed rice)
Maximum electric power consumption	AC220V 50Hz 40W AC230V 50Hz 40W AC240V 50Hz 40W
Minimum volume of water pressure	80kPa (0.8kgf/cm ²)